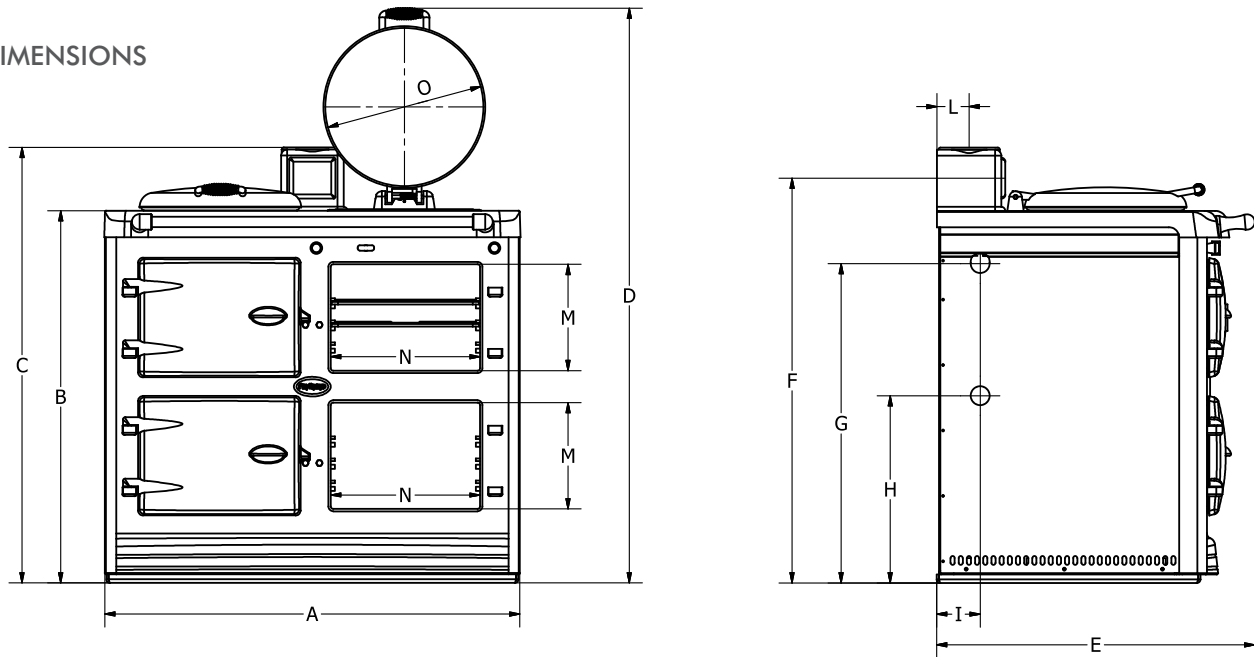


## DIMENSIONS



## MAIN DIMENSIONS

| Dimensions | Metric [mm] |
|------------|-------------|
| A          | 1020        |
| B          | 915         |
| C          | 1070        |
| D          | 1410        |
| E          | 785         |
| F          | 995         |
| G          | 780         |
| H          | 460         |
| I          | 107         |
| L          | 80          |
| M          | 260         |
| N          | 365         |
| O          | 362         |

## TECHNICAL SPECIFICATION

|                               |                  |                  |                  |
|-------------------------------|------------------|------------------|------------------|
| Fuel Type                     | Wood             | Ancit            | Ancit            |
| Output to Water (kW)          | 11.1             | 15.4             | 15.4             |
| Output to Space (kW)          | 3.7              | 3.9              | 3.9              |
| Efficiency (%)                | 74.0             | 78.5             | 78.5             |
| CO (@13% O <sub>2</sub> )     | 0.44             | 0.12             | 0.12             |
| BS Standard                   | BS EN 13229:2001 | BS EN 13229:2001 | BS EN 13229:2001 |
| Test Type                     | Intermittent     | Intermittent     | Continuous       |
| Max. Water Operating Pressure | 3 bar            | 3 bar            | 3 bar            |
| <b>WEIGHT</b>                 |                  |                  |                  |
| Empty (kg)                    | 600              | 600              | 600              |
| Full (kg)                     | 624              | 624              | 624              |
| <b>EMISSIONS BOILER</b>       |                  |                  |                  |
| CO (mg/kWh)                   | 0.21             | 0.21             | 0.21             |
| Flue (mm)                     | 150              | 150              | 150              |

## INSTALLATION

The range cooker should be installed on a solid floor or on a base of non-combustible material, capable of supporting the total weight of the cooker. Installation should always be carried out by an experienced and competent person and to the standards set out by the current Building Regulations and Electrical Wiring Regulations. Please refer to our installation manual for full details.

## SERVICING

In order to obtain the best efficiency, Firebird recommends that the cooker is serviced once a year by a competent, qualified engineer.