



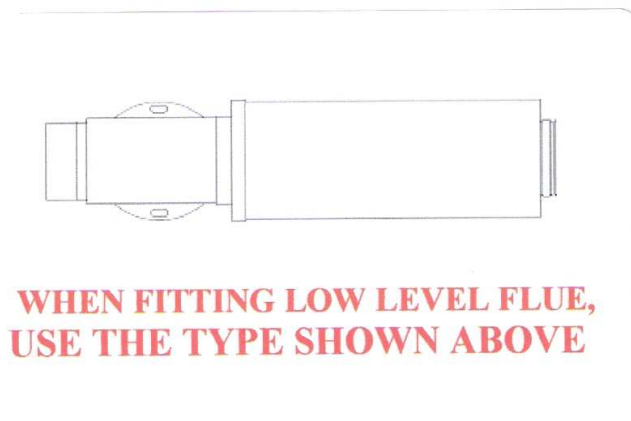
TECHNICAL BULLETIN

No.	Title:	Issue date:
2009 - 04	New Low Level Condensing Kit	25-03-2009

Firebird has modified the low level condensing flue kit and flue transfer at the top of the boiler on all condensing boilers up to 35KW output.

The new low-level flue has a base flange with two elongated holes near the outer diameter and uses two screws to attach it to the boiler. This will replace the current low level flue design which used a single bolt to secure it to a nut insert on the upper flue transfer. The new low level flue will appear shortly on all boiler deliveries and will be identifiable by the stickers shown below.

Boiler Sticker



Flue Sticker



For the first 10 weeks of production, the new low-level flue kits will be supplied with an adaptor bracket so that it can be fitted to an old boiler with the central nut insert fixing.

Please note that the old (centre bolt) low-level flue can NOT be fitted to the new boiler. Therefore ensure that all old low level flues are sold only with the old style boilers.

Firebird Boilers
Údarás Industrial Estate
Baile Mhic Íre,
County Cork
T: 026 – 45253
E: info@firebird.ie

Firebird Products
Shean, Forkhill
Newry
BT35 9SY
T: 028 - 3088 8330
E: firebirdproducts@hotmail.co.uk

Firebird UK
Lee Mill Industrial Estate
Ivybridge
PL21 9PE
T: 01752 - 691177
E: info@firebirduk.co.uk