

100%
IRISH

www.firebird.ie

An rogha is fearr

FIREBIRD



HEATING SOLUTIONS

Unique Firebird Design



Firebird Quick Fit Unit

The easy solution when installing a Firebird Enviroair heat pump or solar thermal system.

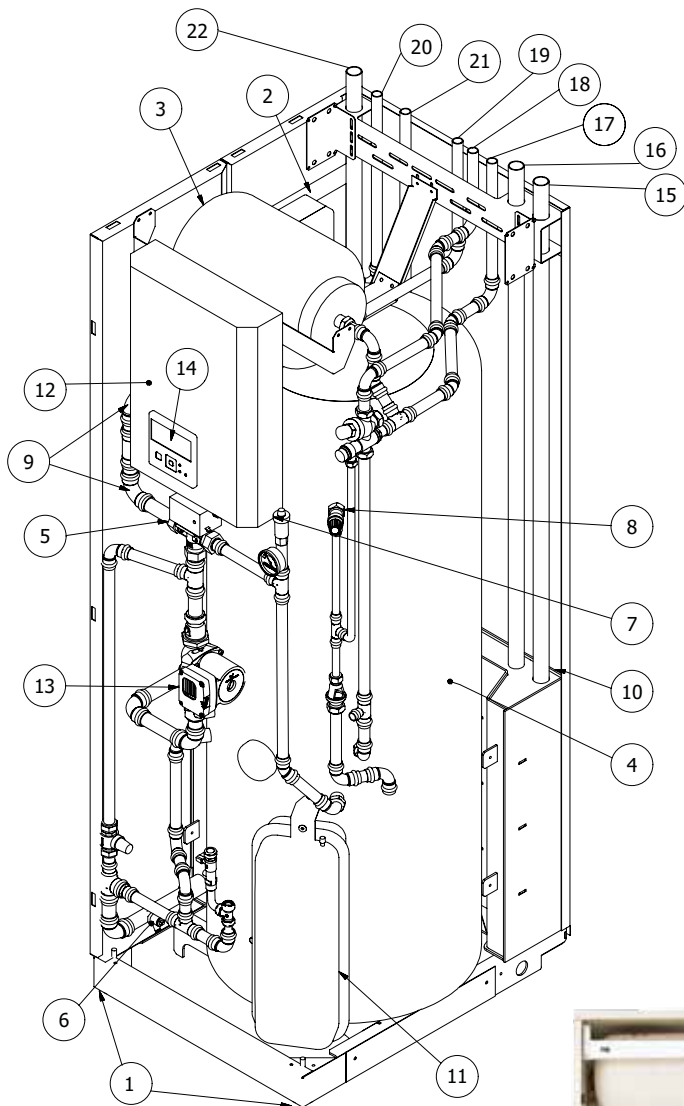


 ENVIRONMENT

 INNOVATION

 TECHNOLOGY

FIREBIRD QUICK FIT UNIT



Part Number	Description
1	Leveling Leg
2	Junction Box Holder Assembly
3	19 litre Expansion Vessel
4	Domestic Hot Water Store
5	Diverter Valve
6	Drain Cock
7	Auto Air Vent cw Check Valve
8	Safety Release Valve
9	Motor Zone Valve
10	42 litre Buffer Tank
11	12 litre Pressure Vessel
12	Firebird Controller Box
13	Grundfos Circulating Pump
14	Firebird Controller
15	Heat Pump Return
16	Heat Pump Flow
17	Cold Main Feed
18	Cold Balance
19	Hot Water Outlet
20	Heating Zone 1
21	Heating Zone 2
22	Heating Zone Return

Features

- Easy access for installation and servicing.
- Fully pre-plumbed and pre-wired.
- Premium quality white case finish.
- Ergonomically designed buffer box.
- 210 litre and 250 litre tank options.
- Piping direct to Irish fittings.
- User-friendly PCB controller.
- Priority hot water on demand.
- Quick drain down system.



Contact Firebird for more information:

t: +353 (0)26 45253 e: info@firebird.ie