

WARM HOME • GREAT COOKING • HOT WATER

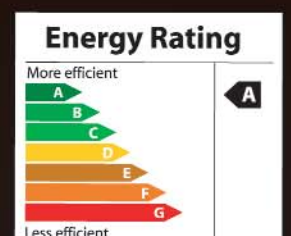
**FIREBIRD**



# Range Cooker



*With High Efficiency  
Sedbuk Band A Condensing Boiler*



# KEY FEATURES



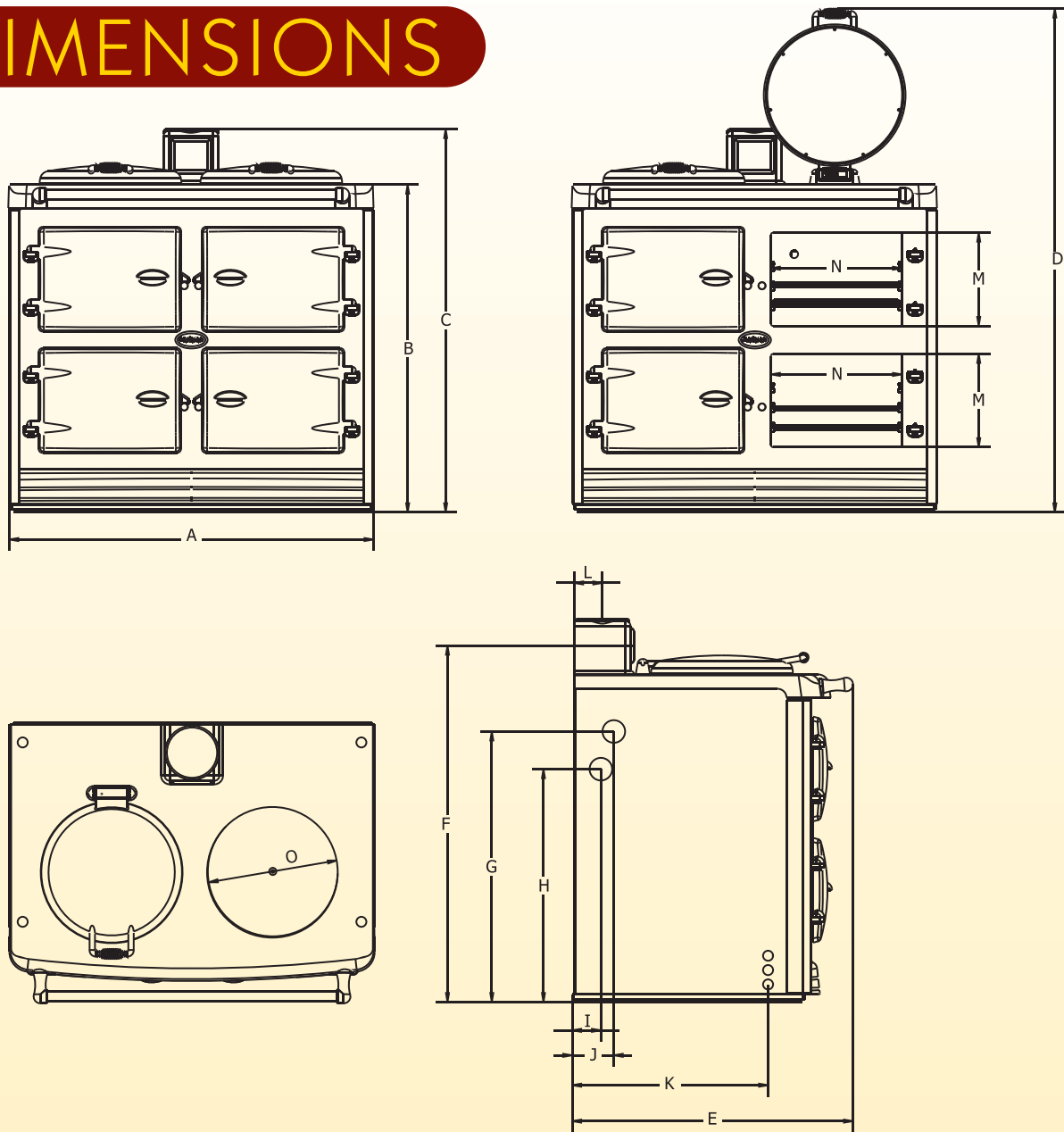
- ⊗ **Robust Cast Iron Design.**
- ⊗ **Large main oven with even heat distribution.**
- ⊗ **Warming oven.**
- ⊗ **Heats up to 250°C.**
- ⊗ **Cast iron lids ensure excellent heat retention.**
- ⊗ **Attractive Enamel Finish.**
- ⊗ **Ultra quiet operation.**
- ⊗ **User friendly controller.**
- ⊗ **Separate central heating and cooker control.**
- ⊗ **SEDBUK Band A internal condensing boiler. (steel)**
- ⊗ **Available in 26kW or 35kW.**
- ⊗ **Balanced Flue design.**

Firebird has taken an innovative stance. It may have taken years of preparation, but the result is an absolute Masterpiece “The Firebird Range Cooker”. The cast iron oven allows for supreme cooking, perfect for the Sunday roast as well as your traditional homemade favourites. Its facility to control central heating and cook separately will give you every satisfaction in use.

As Firebird’s speciality is boilers, this cooker has only the best, with a high efficiency SEDBUK Band A condensing boiler. The incredible efficiency of the condensing boiler is due to the development of a single boiler unit with its two unique heat exchanger units. The additional surface area aided by the unique patented baffle design, increases the amount of heat extracted from the combustion process and thus reducing the heat wasted to the atmosphere.

The Firebird Range Cooker is the only available cooker with a condensing boiler. Not only will you be contributing to reducing global warming, but you will dramatically increase the money in your pocket. Savings will vary from 10% - 30% per annum in comparison to conventional boilers.

# DIMENSIONS



	A	B	C	D	E	F	G	H	I	J	K	L	M	N	O
Metric (mm)	1020	915	1070	1410	785	995	728	650	88	120	545	80	260	365	362

# COLOURS

The Firebird Range Cooker is available in a wide variety of colours

***Cream***



***Black***



***Green***



***Claret***



***Dark Blue***



***Red***



Print colours may not reflect the actual colours, check precise colours in your local Firebird stockist.

GREAT COOKING

# SPECIFICATION

Boiler Model		CR26	CR35
<b>Heat Output (Max)</b>	kW	26	35
	Btu/h('000)	89	119
<b>CONNECTIONS</b>			
Heating Flow		1 Bsp.	1 Bsp.
Heating Return		1 Bsp.	1 Bsp.
Drain Off Valve		1/2 Bsp.	1/2 Bsp.
Condense Drain Off Connection		10mm braided plastic pipe	
<b>WATER CONTENT</b>			
Water Content Boiler (Litres)		24	24
<b>FLUE (Indoor Boilers)</b>		Concentric Flue	Concentric Flue
Balanced Flue Assembly (mm)		125 (5 )	125 (5 )
Conventional flue Socket. (mm)		130 id.	130 id.
Flue Draught Req'd. (Min WG)		0.040	0.040
Conventional Flue (Max WG)		0.15	0.15
<b>TEMPERATURE CONTROL</b>			
Boiler Central Heating Control		60°C - 80°C	
Boiler Safety Limit		110°C +- 3°C	
Over Safety Limit		265°C +- 3°C	
Over Temperature Control		100°C - 250°C	
<b>HEATING SYSTEM</b>			
Fit in accordance with BS 7074 Part 1, BS 5449, OFTEC Standards, etc.			
Boiler Test Pressure -		4.5 bar	
Max Operating Pressure -		2.5 bar	
<b>WATER SIDE RESISTANCE</b>			
Flow rate to give a nominal output at 10k differential		Flow rate to give a nominal output at 20k differential	
Flow rate measured (kg h 1) 2874.24		Flow rate measured (Kg h 1) 1522.92	
Waterside Resistance (mbar) 0.18		Waterside Resistance (mbar) 0.19	
Pressure Jet Oil Burners Oven:		RDB1	
Boiler:		RDB 2.2 up to C35	
Fuel:		C2 Kerosene (optional)	
Electrical:		Supply 230V. AC 50Hz to be fused at 5amp.	
Weight Full (kg):		624	624



### ➤ **DIGITAL CONTROLLER**

The Firebird Range Cooker has a user friendly controller which ensures optimum management of the cookers facilities. It allows for separate management of the oven and boiler to meet your every need.

### ➤ **INSTALLATION**

You must ensure you have a solid floor or base of non-combustible material which is capable of supporting the total weight of the cooker before installation begins. Installation should always be carried out by an experienced and competent person to the standards set out by the current Building Regulations including Electrical Wiring Regulations. Full installation and product information are detailed in the installation manual.

### ➤ **SERVICING**

To get the best efficiency from your Firebird Range Cooker we recommend that it is serviced once a year by a Firebird approved qualified engineer.

### ➤ **WARRANTY**

Firebird provide a comprehensive conditional warranty whereby we will replace any defective working parts free of charge within a period of 2 years of purchase.

*Your Firebird Range Cooker must be commissioned by a Firebird approved engineer to validate your warranty.*

*On completion of the installation the Guarantee Registration form must be returned to Firebird within 30 days.*

*The Firebird Range Cooker has a user friendly controller which ensures optimum management of the cookers facilities. It allows for separate management of the oven and boiler to meet your every need.*

# FIREBIRD



Other products available from Firebird



Condensing Oil Boilers  
& Solar Hot Water Heating



Wood Pellet  
Boilers



Wood Gasification  
Boilers

YOUR LOCAL STOCKIST

**FOR FURTHER INFORMATION  
ON ALL FIREBIRD PRODUCTS PLEASE CONTACT:** \_\_\_\_\_



## **FIREBIRD (ROI)**

Baile Mhic Íre, Co. Chorcaí, Éire.

**t:** (026) 45253

**f:** (026) 45309

**e:** info@firebird.ie

**w:** www.firebird.ie

## **FIREBIRD PRODUCTS (N.I.)**

Shean, Forkhill, Newry, BT35 9SY.

**t:** (028) 3088 8330

**f:** (028) 3088 9096

**e:** firebirdproducts@hotmail.co.uk

**w:** www.firebird.ie

## **FIREBIRD UK**

East Central House, Central Ave.,  
Lee Mill Ind. Est., Devon PL21 9PE.

**t:** 01 752 691177

**f:** 01 752 691131

**e:** sales@firebirduk.co.uk

**w:** www.firebirduk.co.uk